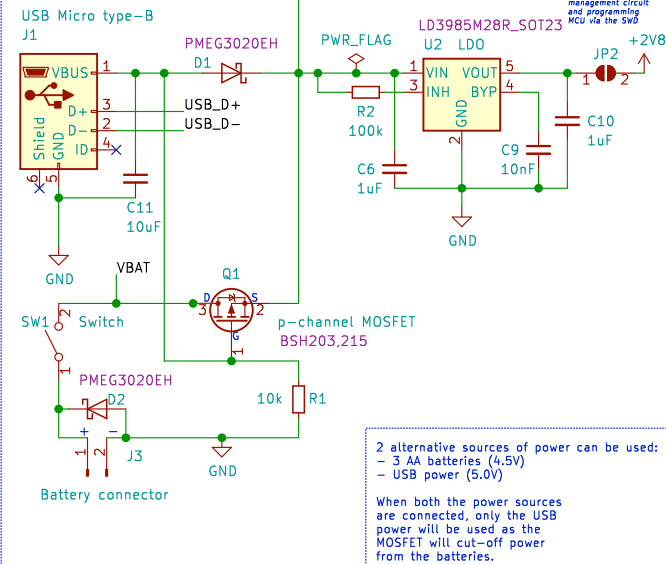
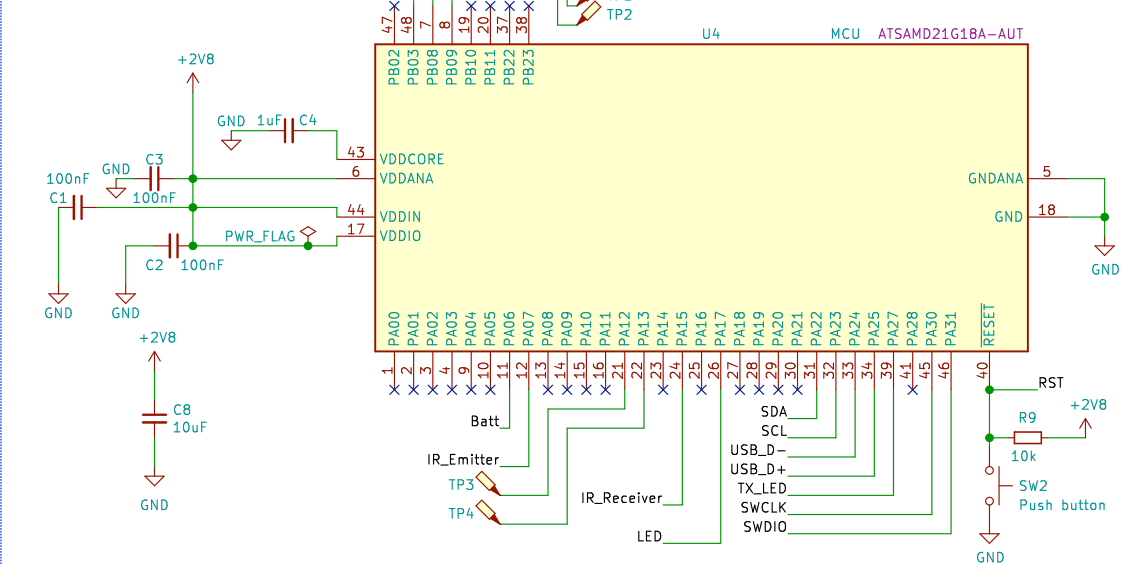


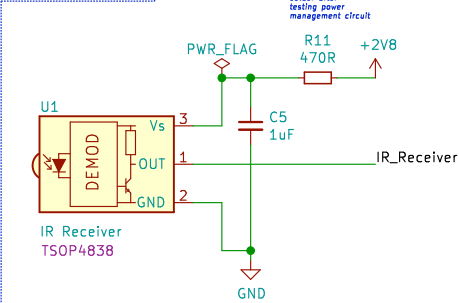
Power Management



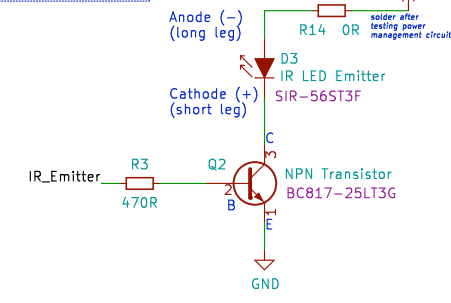
Micro-controller



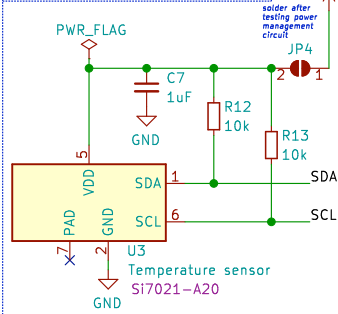
IR Receiver



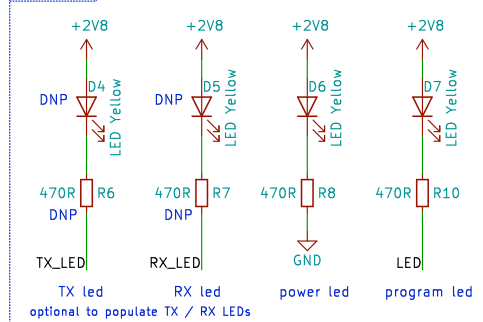
IR Emitter



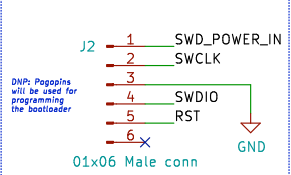
Temperature Sensor



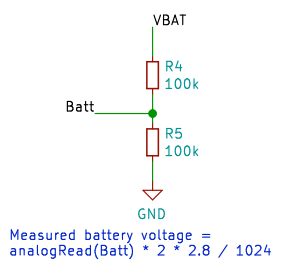
LEDs



SWD Programming



Measure battery voltage



Footnotes: Design explanations

R11 = 470R
C5 = 1uF

Cut off frequency = 330.8Hz

R3 value 470R is used, but it is interchangeable.

Transistor calculation:
Max: 3.36K
Min: 168R

R14 can be 0R:
github.com/hutscape/pine/issues/14#issuecomment-547702446

Project website: <https://hutscape.com/pine>
 Authored by: Sayanee Basu

Control aircon by monitoring temperature in other parts of the room

Hutscape
 Sheet: /
 File: Pine.sch

Title: Pine

Size: A4	Date: 2019-11-11	Rev: V1.0
KiCad E.D.A. kicad (5.1.0-0)		Id: 1/1