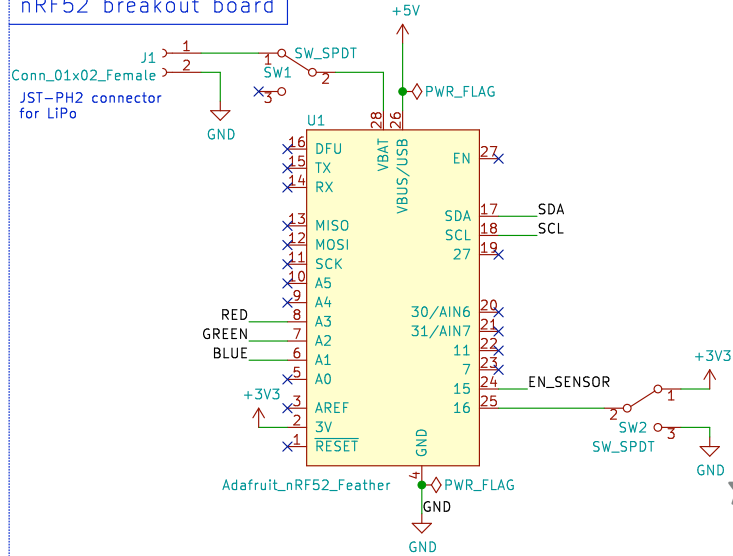


### nRF52 breakout board



- Power
- GND
- Physical Pin
- Port Pin
- Analog Pin
- Serial Pin
- PM Function
- Interrupt Pin
- Control Pin
- IDC
- PM Pin

For 8.28 and 8.29 pin, recommended Low drive, low frequency I/O only

- MAX per pin 100mA, not recommended
- MAX 30mA for the entire package



<https://www.adafruit.com/product/3486>

- Any GPD pin can be configured as a PMM output
- Any GPD pin support Interrupts

- Extra Functions
- 1-2: I2C
  - 3-4: I2C
  - 5-6: I2C
  - 7-8: I2C
  - 9-10: I2C
  - 11-12: I2C
  - 13-14: I2C
  - 15-16: I2C
  - 17-18: I2C
  - 19-20: I2C
  - 21-22: I2C
  - 23-24: I2C
  - 25-26: I2C
  - 27-28: I2C
  - 29-30: I2C
  - 31-32: I2C
  - 33-34: I2C
  - 35-36: I2C
  - 37-38: I2C
  - 39-40: I2C
  - 41-42: I2C
  - 43-44: I2C
  - 45-46: I2C
  - 47-48: I2C
  - 49-50: I2C
  - 51-52: I2C
  - 53-54: I2C
  - 55-56: I2C
  - 57-58: I2C
  - 59-60: I2C
  - 61-62: I2C
  - 63-64: I2C
  - 65-66: I2C
  - 67-68: I2C
  - 69-70: I2C
  - 71-72: I2C
  - 73-74: I2C
  - 75-76: I2C
  - 77-78: I2C
  - 79-80: I2C
  - 81-82: I2C
  - 83-84: I2C
  - 85-86: I2C
  - 87-88: I2C
  - 89-90: I2C
  - 91-92: I2C
  - 93-94: I2C
  - 95-96: I2C
  - 97-98: I2C
  - 99-100: I2C

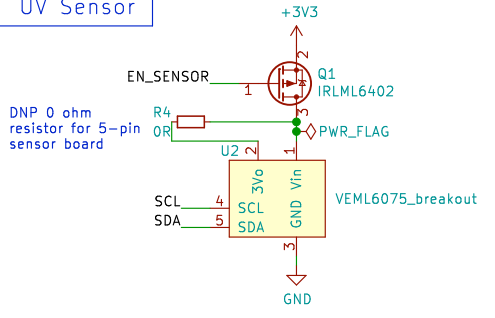
- Optional Lipo Battery
- Connect to ground to disable the 3.3V regulator

- Avoid using this pin directly to measure the LiPo battery level

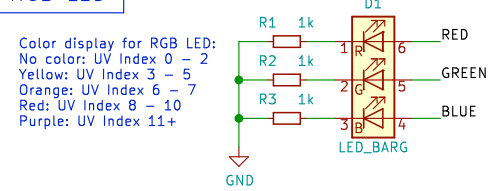
- Connected to 5V USB Port
- It's the positive voltage from to 5V USB Port
- 3V3 output from regulator



### UV Sensor



### RGB LED



Color display for RGB LED:  
 No color: UV Index 0 - 2  
 Yellow: UV Index 3 - 5  
 Orange: UV Index 6 - 7  
 Red: UV Index 8 - 10  
 Purple: UV Index 11+

Keychain for measuring UV Index

**Palm@Hutscape**

Sheet: /

File: Palm.sch

**Title: Palm**

Size: A4 Date: 2019-06-07

KiCad E.D.A. kicad (5.1.0-0)

**Rev: V1.0**

Id: 1/1