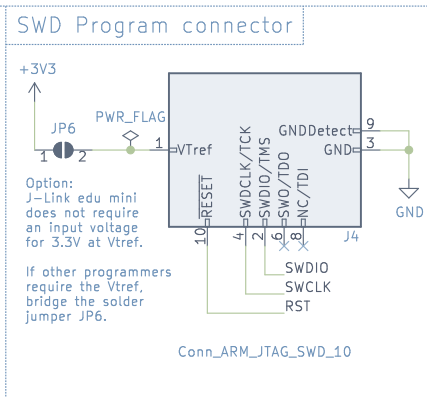
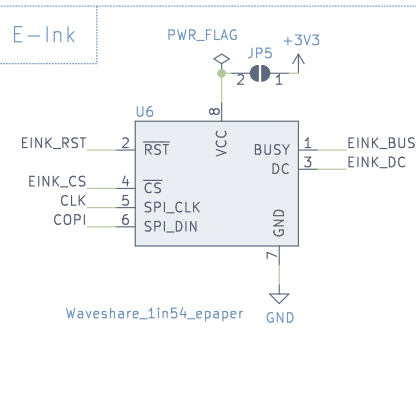
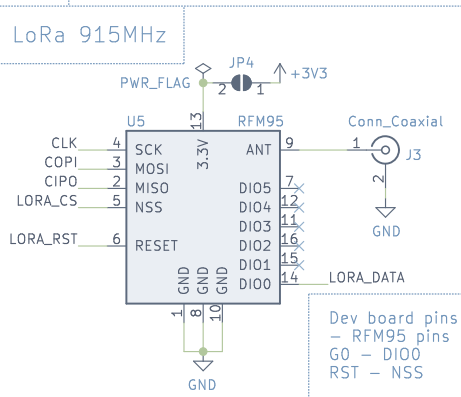
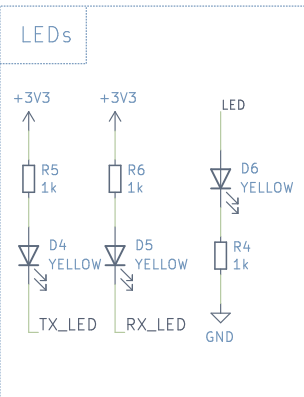
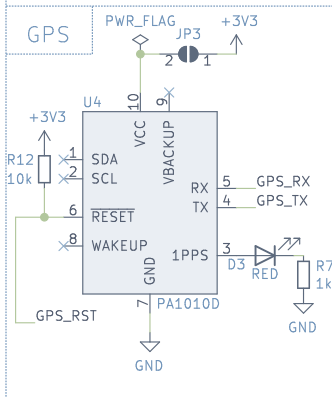
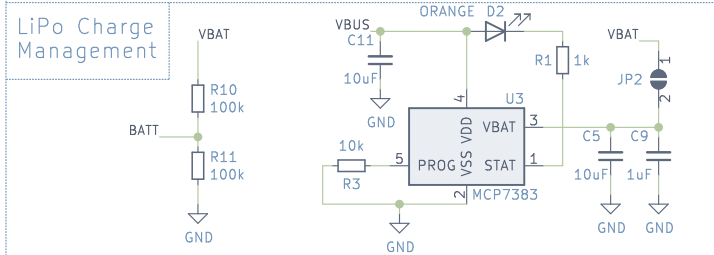


- #### Arduino Zero pins | SAMD21G pins
1. GPS_TX - D0/RX - PA11
 2. GPS_RX - D1/TX - PA10
 3. LORA_CS - D5 - PA15
 4. LORA_RST - D6 - PA20
 5. LORA_DATA - D11 - PA16
 6. EINK_BUSY - D7 - PA21
 7. EINK_RST - D8 - PA06
 8. EINK_DC - D9 - PA07
 9. EINK_CS - D10 - PA18
 10. COPI - ICSP_COPI - PB10
 11. CLK - ICSP_SCK - PB11
 12. CIPO - ICSP_CIPO - PA12
 13. BATT - A0 - PA02
 14. GPS_RST - D3 - PA09
- Pin mappings:
https://github.com/arduino/ArduinoCore-samd/tree/master/variants/arduino_zero



Authored by: Sayanee Basu <sayanee@gmail.com>
 Project website: <https://hutscape.com/oak>
 License: CC-BY-SA 4.0 or TAPR
 Description: Outdoor LoRa-GPS tracker with E-Ink display
Hutscape
 Sheet: /
 File: Oak.sch
Title: Oak
 Size: A4 | Date: 2021-10-05
 KiCad E.D.A. kicad (5.1.9-0-10_14) | **Rev: V1.3.2**
 Id: 1/1