

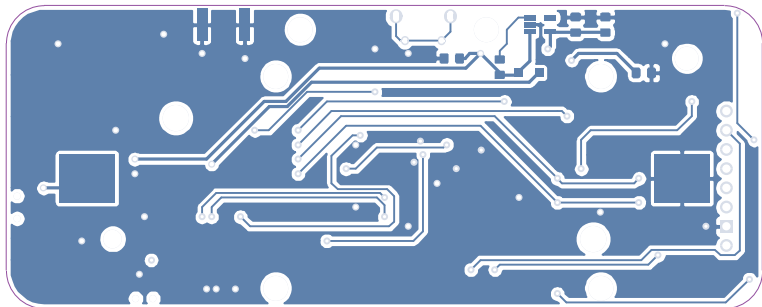
Authored by: Sayanee Basu <sayanee@gmail.com>
Project website: <https://hutscape.com/oak>
License: CC-BY-SA 4.0 or TAPR
Description: Outdoor LoRa-GPS tracker with E-Ink display

Hutscape
Sheet:
File: Oak.kicad_pcb

Title: Oak

Size: A4 Date: 2021-07-23
KiCad E.D.A. kicad (5.1.9-0-10_14)

Rev: V1.2
Id: 1/1



Authored by: Sayanee Basu <sayanee@gmail.com>
Project website: <https://hutscape.com/oak>
License: CC-BY-SA 4.0 or TAPR
Description: Outdoor LoRa-GPS tracker with E-Ink display

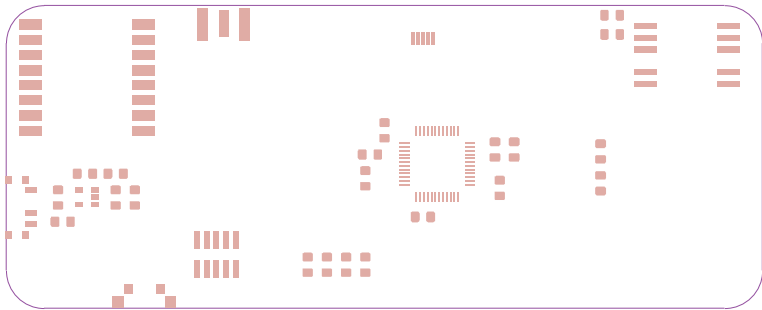
Hutscape

Sheet:
File: Oak.kicad_pcb

Title: Oak

Size: A4 | Date: 2021-07-23
KiCad E.D.A. kicad (5.1.9-0-10_14)

Rev: V1.2
Id: 1/1



Authored by: Sayanee Basu <sayanee@gmail.com>
Project website: <https://hutscape.com/oak>
License: CC-BY-SA 4.0 or TAPR
Description: Outdoor LoRa-GPS tracker with E-Ink display

Hutscape
Sheet:
File: Oak.kicad_pcb

Title: Oak

Size: A4 | Date: 2021-07-23
KiCad E.D.A. kicad (5.1.9-0-10_14)

Rev: V1.2
Id: 1/1



Authored by: Sayanee Basu <sayanee@gmail.com>
Project website: <https://hutscape.com/oak>
License: CC-BY-SA 4.0 or TAPR
Description: Outdoor LoRa-GPS tracker with E-Ink display

Hutscape

Sheet:
File: Oak.kicad_pcb

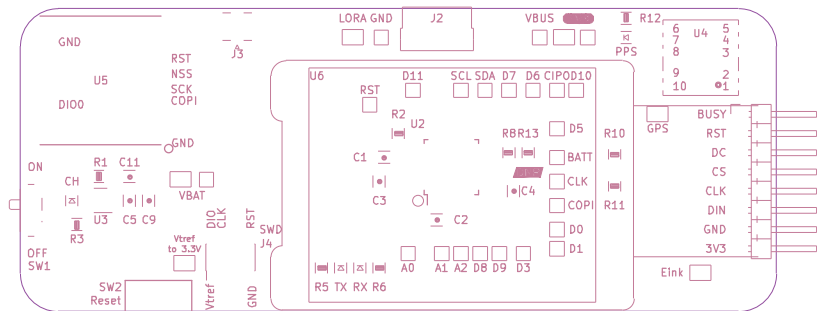
Title: Oak

Size: A4 Date: 2021-07-23

KiCad E.D.A. kicad (5.1.9-0-10_14)

Rev: V1.2

Id: 1/1



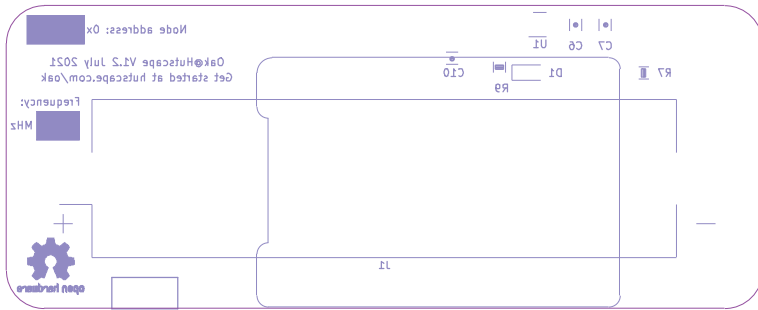
Authored by: Sayanee Basu <sayanee@gmail.com>
 Project website: <https://hutscape.com/oak>
 License: CC-BY-SA 4.0 or TAPR
 Description: Outdoor LoRa-GPS tracker with E-Ink display

Hutscape
 Sheet:
 File: Oak.kicad_pcb

Title: Oak

Size: A4 | Date: 2021-07-23
 KiCad E.D.A. kicad (5.1.9-0-10_14)

Rev: V1.2
 Id: 1/1



Authored by: Sayanee Basu <sayanee@gmail.com>
 Project website: <https://hutscape.com/oak>
 License: CC-BY-SA 4.0 or TAPR
 Description: Outdoor LoRa-GPS tracker with E-Ink display

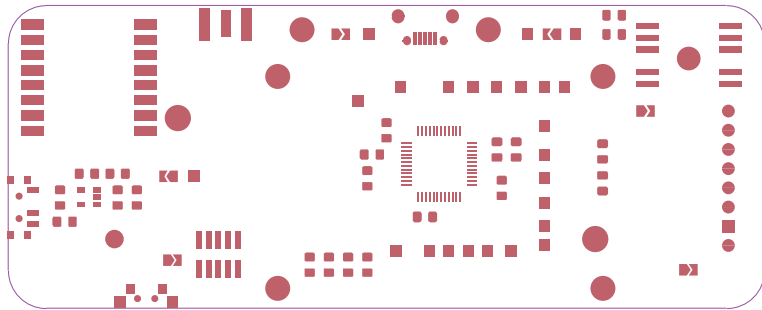
Hutscape

Sheet:
 File: Oak.kicad_pcb

Title: Oak

Size: A4 | Date: 2021-07-23
 KiCad E.D.A. kicad (5.1.9-0-10_14)

Rev: V1.2
 Id: 1/1



Authored by: Sayanee Basu <sayanee@gmail.com>
Project website: <https://hutscape.com/oak>
License: CC-BY-SA 4.0 or TAPR
Description: Outdoor LoRa-GPS tracker with E-Ink display

Hutscape
Sheet:
File: Oak.kicad_pcb

Title: Oak

Size: A4 Date: 2021-07-23
KiCad E.D.A. kicad (5.1.9-0-10_14)

Rev: V1.2
Id: 1/1



Authored by: Sayanee Basu <sayanee@gmail.com>
Project website: <https://hutscape.com/oak>
License: CC-BY-SA 4.0 or TAPR
Description: Outdoor LoRa-GPS tracker with E-Ink display

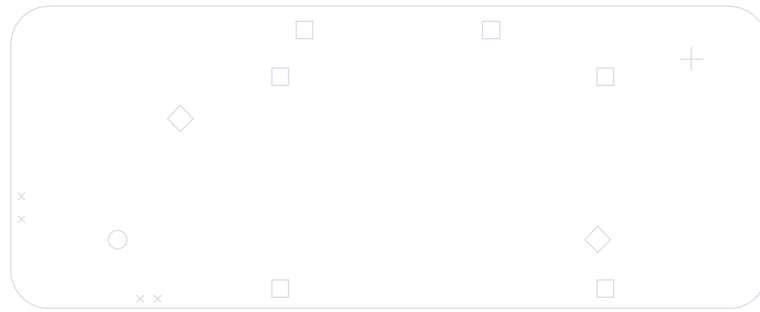
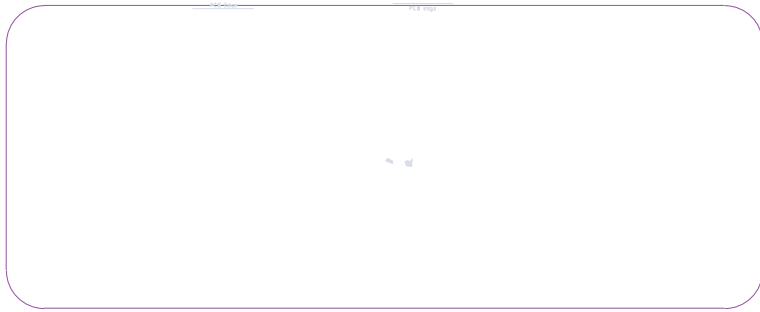
Hutscape

Sheet:
File: Oak.kicad_pcb

Title: Oak

Size: A4 | Date: 2021-07-23
KiCad E.D.A. kicad (5.1.9-0-10_14)

Rev: V1.2
Id: 1/1



Drill Map:

- × 0.90mm / 0.035" (4 holes) (not plated)
- 2.39mm / 0.094" (1 hole) (not plated)
- + 3.00mm / 0.118" (1 hole) (not plated)
- 3.20mm / 0.126" (6 holes) (not plated)
- ◇ 3.45mm / 0.136" (2 holes) (not plated)



Drill Map:

- 0.40mm / 0.016" (38 holes)
- 0.50mm / 0.020" (25 holes)
- 0.65mm / 0.026" (0 holes + 2 slots)
- 0.80mm / 0.031" (0 holes + 2 slots)
- ◇ 1.00mm / 0.039" (8 holes)

Authored by: Sayanee Basu <sayanee@gmail.com>
 Project website: <https://hutscape.com/oak>
 License: CC-BY-SA 4.0 or TAPR
 Description: Outdoor LoRa-GPS tracker with E-Ink display

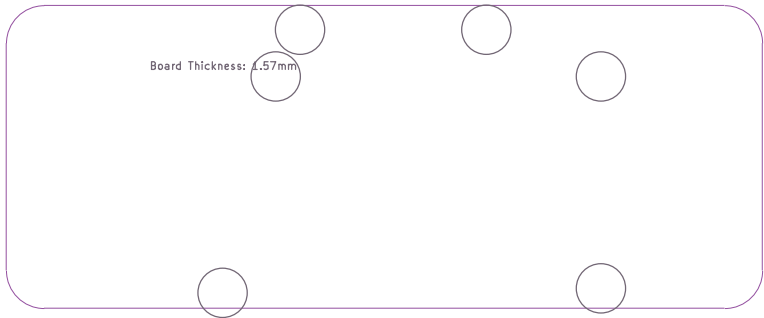
Hutscape

Sheet:
 File: Oak.kicad_pcb

Title: Oak

Size: A4 | Date: 2021-07-23
 KiCad E.D.A. kicad (5.1.9-0-10_14)

Rev: V1.2
 Id: 1/1

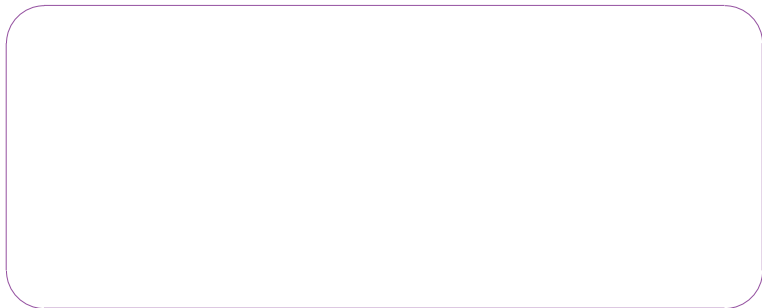


Authored by: Sayanee Basu <sayanee@gmail.com>
Project website: <https://hutscape.com/oak>
License: CC-BY-SA 4.0 or TAPR
Description: Outdoor LoRa-GPS tracker with E-Ink display

Hutscape
Sheet:
File: Oak.kicad_pcb

Title: Oak
Size: A4 | Date: 2021-07-23
KiCad E.D.A. kicad (5.1.9-0-10_14)

Rev: V1.2
Id: 1/1



Authored by: Sayanee Basu <sayanee@gmail.com>
Project website: <https://hutscape.com/oak>
License: CC-BY-SA 4.0 or TAPR
Description: Outdoor LoRa-GPS tracker with E-Ink display

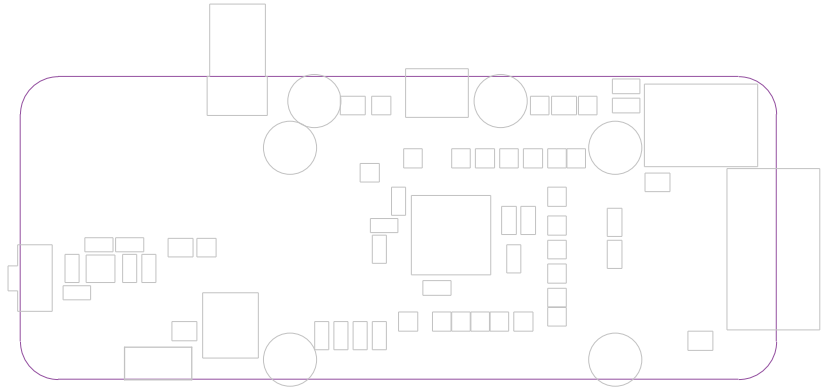
Hutscape

Sheet:
File: Oak.kicad_pcb

Title: Oak

Size: A4 Date: 2021-07-23
KiCad E.D.A. kicad (5.1.9-0-10_14)

Rev: V1.2
Id: 1/1



Authored by: Sayanee Basu <sayanee@gmail.com>
Project website: <https://hutscape.com/oak>
License: CC-BY-SA 4.0 or TAPR
Description: Outdoor LoRa-GPS tracker with E-Ink display

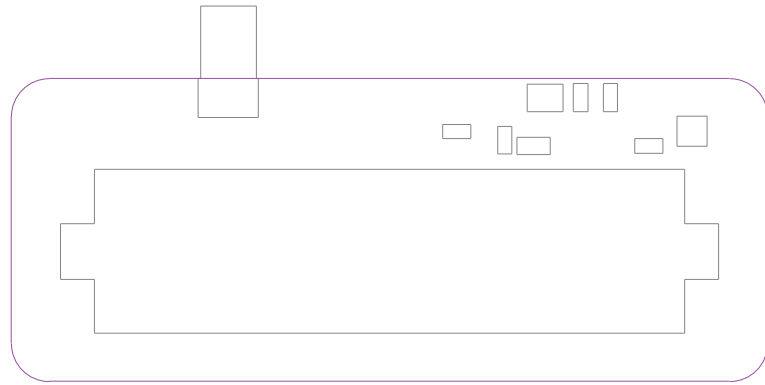
Hutscape

Sheet:
File: Oak.kicad_pcb

Title: Oak

Size: A4 | Date: 2021-07-23
KiCad E.D.A. kicad (5.1.9-0-10_14)

Rev: V1.2
Id: 1/1



Authored by: Sayanee Basu <sayanee@gmail.com>
Project website: <https://hutscape.com/oak>
License: CC-BY-SA 4.0 or TAPR
Description: Outdoor LoRa-GPS tracker with E-Ink display

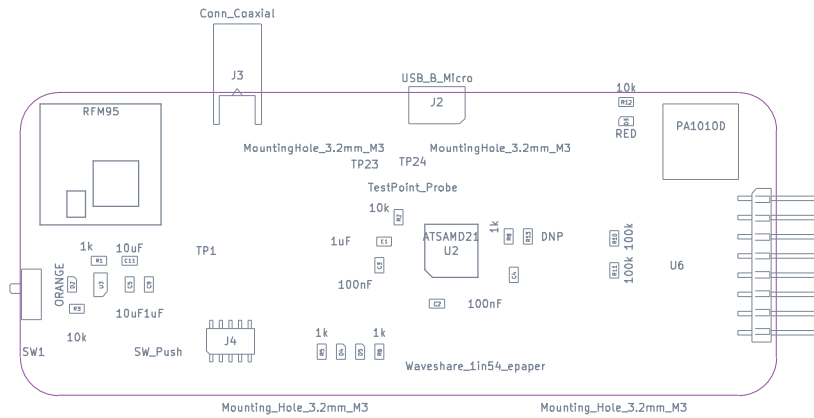
Hutscape

Sheet:
File: Oak.kicad_pcb

Title: Oak

Size: A4 | Date: 2021-07-23
KiCad E.D.A. kicad (5.1.9-0-10_14)

Rev: V1.2
Id: 1/1



Authored by: Sayanee Basu <sayanee@gmail.com>
 Project website: <https://hutscape.com/oak>
 License: CC-BY-SA 4.0 or TAPR
 Description: Outdoor LoRa-GPS tracker with E-Ink display

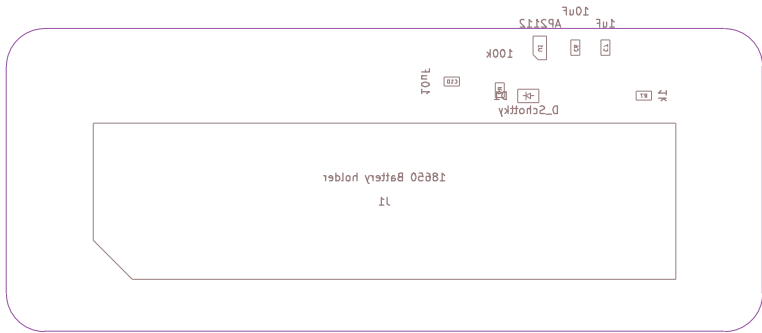
Hutscape

Sheet:
 File: Oak.kicad_pcb

Title: Oak

Size: A4 | Date: 2021-07-23
 KiCad E.D.A. kicad (5.1.9-0-10_14)

Rev: V1.2
 Id: 1/1



Authored by: Sayanee Basu <sayanee@gmail.com> Project website: https://hutscape.com/oak License: CC-BY-SA 4.0 or TAPR Description: Outdoor LoRa-GPS tracker with E-Ink display Hutscape		
Sheet: File: Oak.kicad_pcb		
Title: Oak		
Size: A4	Date: 2021-07-23	Rev: V1.2
KiCad E.D.A. kicad (5.1.9-0-10_14)		Id: 1/1