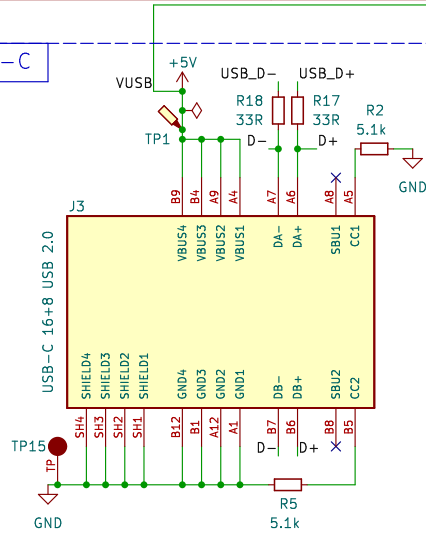
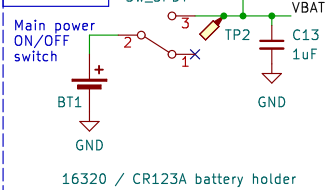


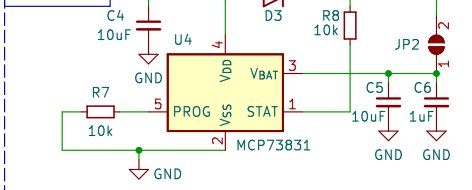
USB-C



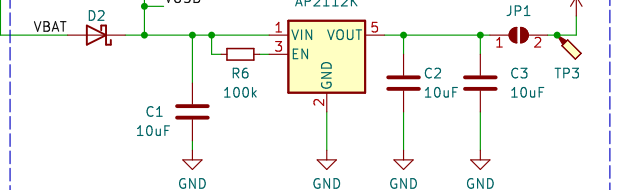
Battery



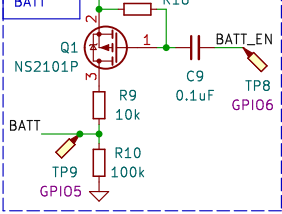
Charger



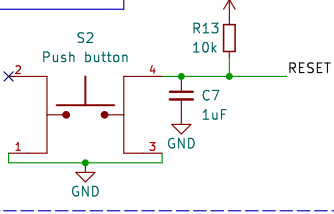
LDO



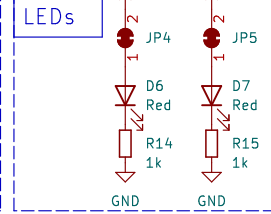
Measure BATT



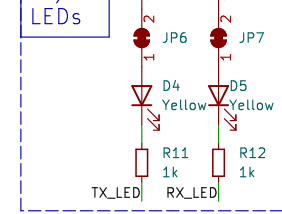
RESET BUTTON



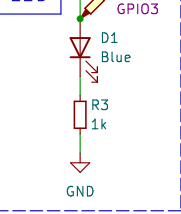
Power LEDs



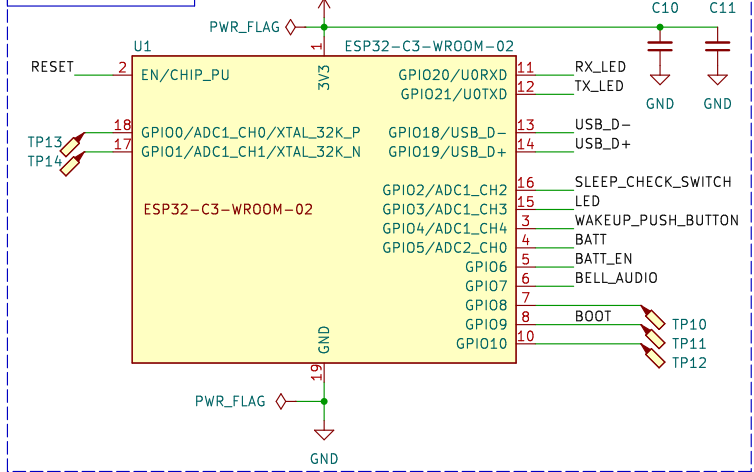
TX/RX LEDs



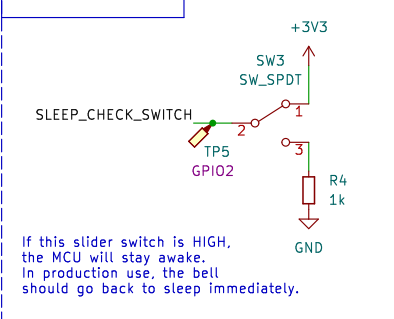
LED



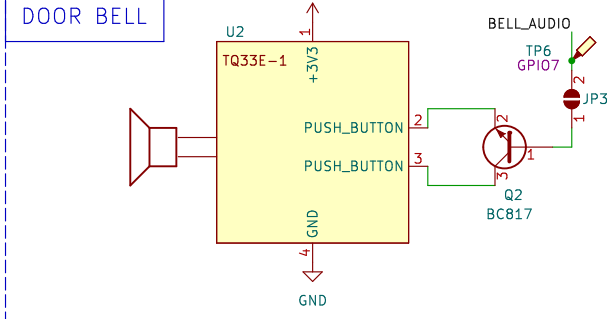
Microcontroller



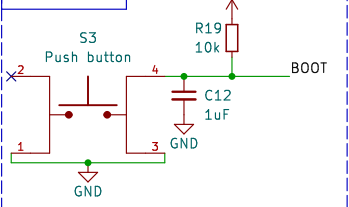
SLEEP CHECK



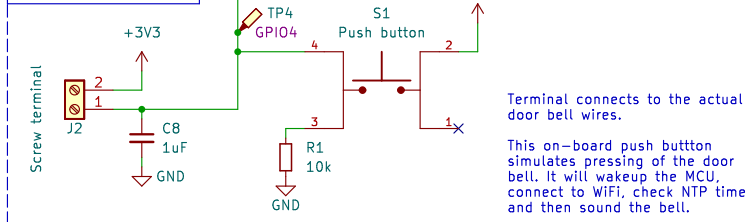
DING DONG DOOR BELL



BOOT BUTTON



Bell connector



Description: Retrofit a wired doorbell to add WiFi and make it connected
 License: CC-BY-SA 4.0 or TAPR
 Project website: <https://hutscape.com/capsicum>
 Authored by: Sayanee Basu

Sheet: /		Date: 2024-02-27	
File: capsicum.kicad_sch		Rev:	
Title: Capsicum		Id: 1/1	
Size: A4	KiCad E.D.A. kicad 7.0.8		