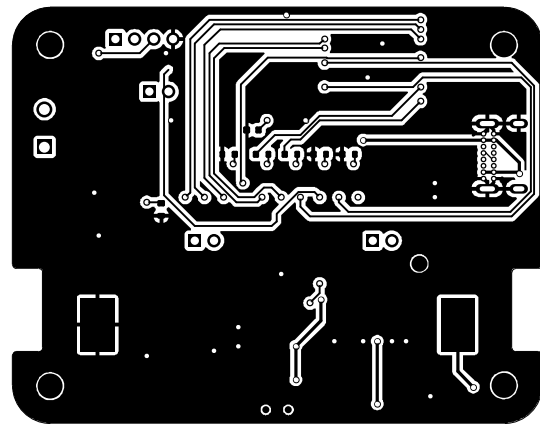


Description: Retrofit a wired doorbell to add WiFi	
License: CC-BY-SA 4.0 or TAPR	
Project website: https://hutscape.com/capsicum	
Authored by: Sayanee Basu	
Sheet:	
File: capsicum.kicad_pcb	
Title: Capsicum	
Size: A4	Date: 2024-03-27
KiCad E.D.A. kicad 7.0.8	Rev: V1.0.1
	Id: 1/1



Description: Retrofit a wired doorbell to add WiFi
License: CC-BY-SA 4.0 or TAPR
Project website: <https://hutscape.com/capsicum>
Authored by: Sayanee Basu

Sheet:
File: capsicum.kicad_pcb

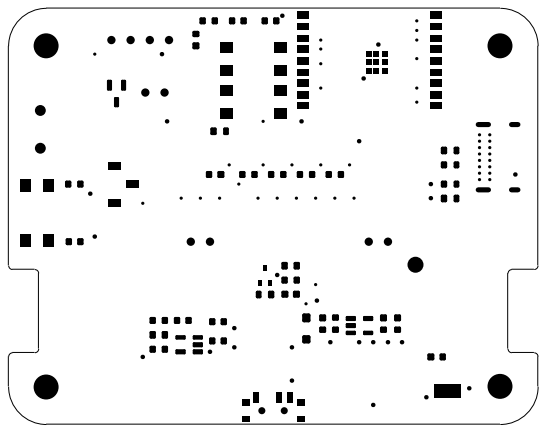
Title: Capsicum

Size: A4 Date: 2024-03-27

KiCad E.D.A. kicad 7.0.8

Rev: V1.0.1

Id: 1/1

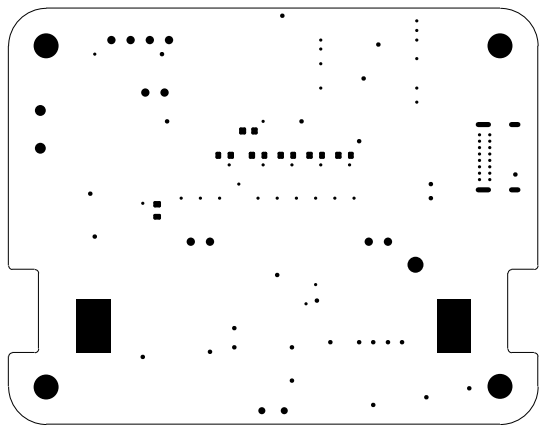


Description: Retrofit a wired doorbell to add WiFi
 License: CC-BY-SA 4.0 or TAPR
 Project website: <https://hutscape.com/capsicum>
 Authored by: Sayanee Basu

Sheet:
 File: capsicum.kicad_pcb

Title: Capsicum

Size: A4	Date: 2024-03-27	Rev: V1.0.1
KiCad E.D.A. kicad 7.0.8		Id: 1/1

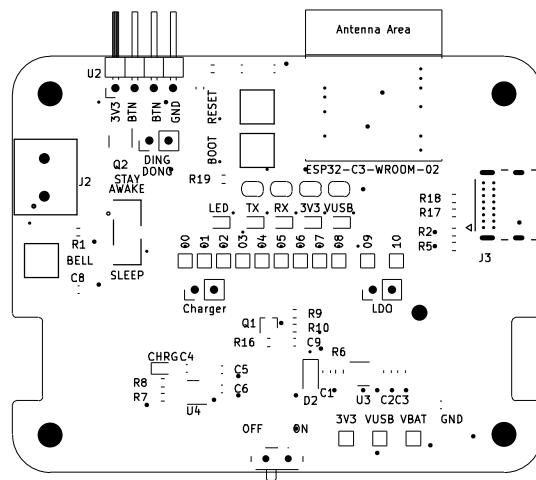


Description: Retrofit a wired doorbell to add WiFi
 License: CC-BY-SA 4.0 or TAPR
 Project website: <https://hutscape.com/capsicum>
 Authored by: Sayanee Basu

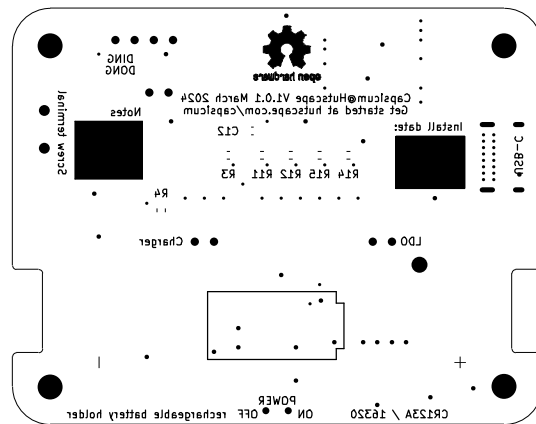
Sheet:
 File: capsicum.kicad_pcb

Title: Capsicum

Size: A4	Date: 2024-03-27	Rev: V1.0.1
KiCad E.D.A. kicad 7.0.8		Id: 1/1



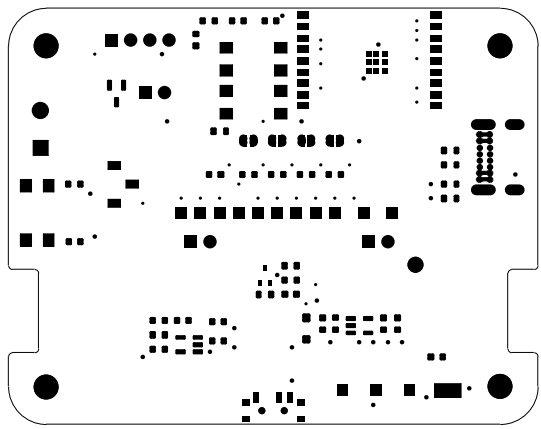
Description: Retrofit a wired doorbell to add WiFi	
License: CC-BY-SA 4.0 or TAPR	
Project website: https://hutscape.com/capsicum	
Authored by: Sayanee Basu	
Sheet:	
File: capsicum.kicad_pcb	
Title: Capsicum	
Size: A4	Date: 2024-03-27
KiCad E.D.A. kicad 7.0.8	Rev: V1.0.1 Id: 1/1



Description: Retrofit a wired doorbell to add WiFi
 License: CC-BY-SA 4.0 or TAPR
 Project website: <https://hutscape.com/capsicum>
 Authored by: Sayanee Basu

Sheet:
 File: capsicum.kicad_pcb

Title: Capsicum	
Size: A4	Date: 2024-03-27
KiCad E.D.A. kicad 7.0.8	Rev: V1.0.1 Id: 1/1

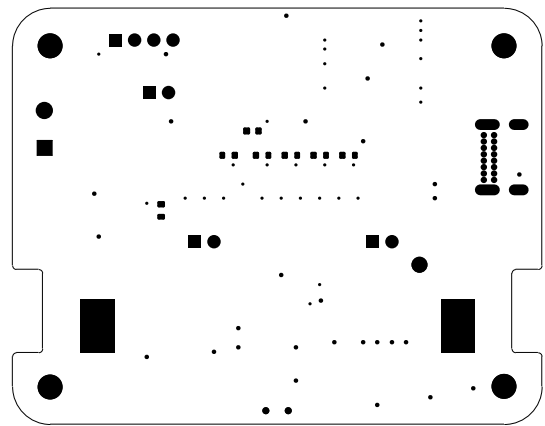


Description: Retrofit a wired doorbell to add WiFi
 License: CC-BY-SA 4.0 or TAPR
 Project website: <https://hutscape.com/capsicum>
 Authored by: Sayanee Basu

Sheet:
 File: capsicum.kicad_pcb

Title: Capsicum

Size: A4	Date: 2024-03-27	Rev: V1.0.1
KiCad E.D.A. kicad 7.0.8		Id: 1/1

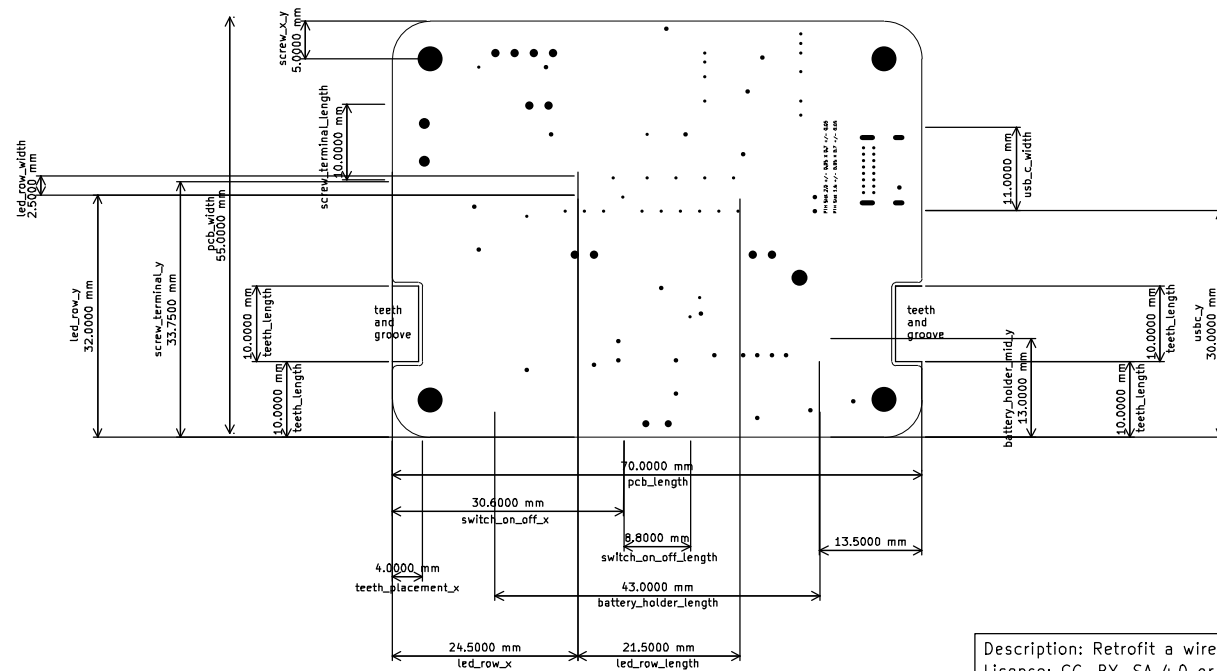


Description: Retrofit a wired doorbell to add WiFi
 License: CC-BY-SA 4.0 or TAPR
 Project website: <https://hutscape.com/capsicum>
 Authored by: Sayanee Basu

Sheet:
 File: capsicum.kicad_pcb

Title: Capsicum

Size: A4	Date: 2024-03-27	Rev: V1.0.1
KiCad E.D.A. kicad 7.0.8		Id: 1/1



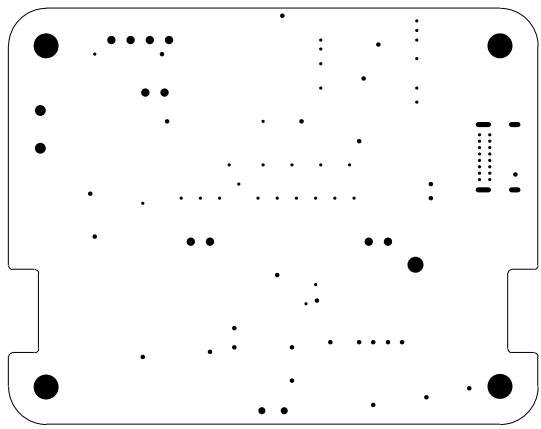
Description: Retrofit a wired doorbell to add WiFi
 License: CC-BY-SA 4.0 or TAPR
 Project website: <https://hutscape.com/capsicum>
 Authored by: Sayanee Basu

Sheet:
 File: capsicum.kicad_pcb

Title: Capsicum

Size: A4 | Date: 2024-03-27
 KiCad E.D.A. kicad 7.0.8

Rev: V1.0.1
 Id: 1/1

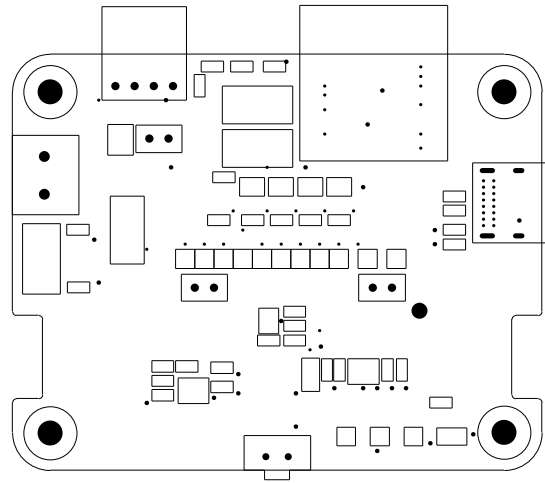


Description: Retrofit a wired doorbell to add WiFi
 License: CC-BY-SA 4.0 or TAPR
 Project website: <https://hutscape.com/capsicum>
 Authored by: Sayanee Basu

Sheet:
 File: capsicum.kicad_pcb

Title: Capsicum

Size: A4	Date: 2024-03-27	Rev: V1.0.1
KiCad E.D.A. kicad 7.0.8		Id: 1/1



Description: Retrofit a wired doorbell to add WiFi
License: CC-BY-SA 4.0 or TAPR
Project website: <https://hutscape.com/capsicum>
Authored by: Sayanee Basu

Sheet:
File: capsicum.kicad_pcb

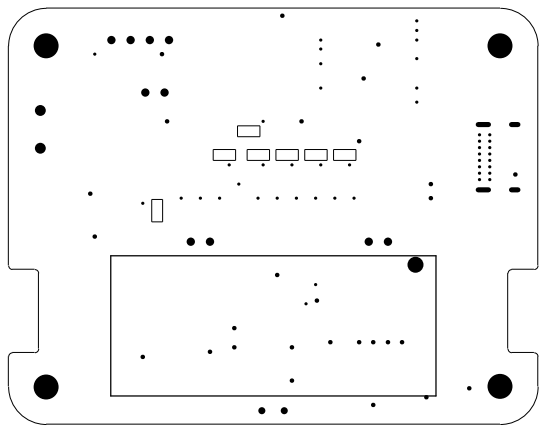
Title: Capsicum

Size: A4 Date: 2024-03-27

KiCad E.D.A. kicad 7.0.8

Rev: V1.0.1

Id: 1/1

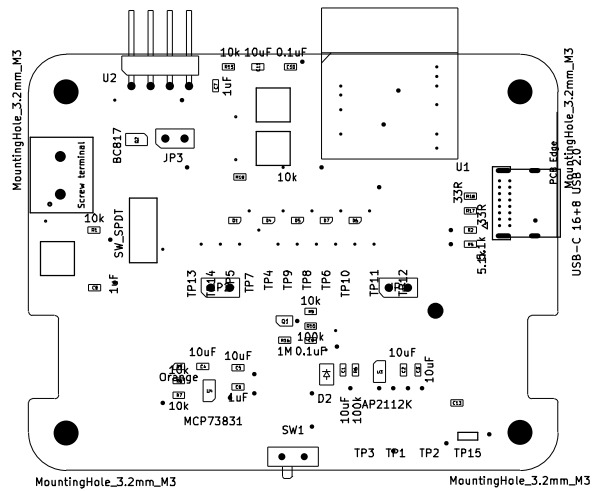


Description: Retrofit a wired doorbell to add WiFi
 License: CC-BY-SA 4.0 or TAPR
 Project website: <https://hutscape.com/capsicum>
 Authored by: Sayanee Basu

Sheet:
 File: capsicum.kicad_pcb

Title: Capsicum

Size: A4	Date: 2024-03-27	Rev: V1.0.1
KiCad E.D.A. kicad 7.0.8		Id: 1/1



Description: Retrofit a wired doorbell to add WiFi
 License: CC-BY-SA 4.0 or TAPR
 Project website: <https://hutscape.com/capsicum>
 Authored by: Sayanee Basu

Sheet:
 File: capsicum.kicad_pcb

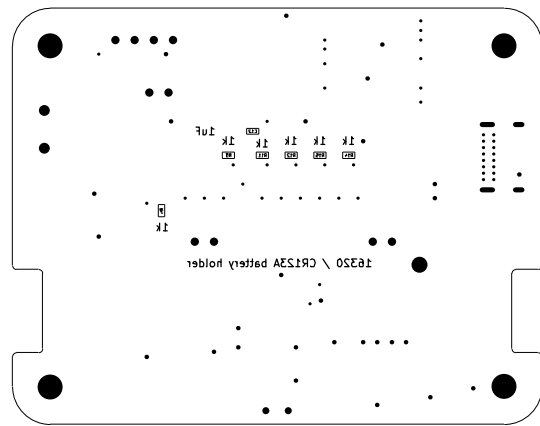
Title: Capsicum

Size: A4 | Date: 2024-03-27

KiCad E.D.A. kicad 7.0.8

Rev: V1.0.1

Id: 1/1



Description: Retrofit a wired doorbell to add WiFi
 License: CC-BY-SA 4.0 or TAPR
 Project website: <https://hutscape.com/capsicum>
 Authored by: Sayanee Basu

Sheet:
 File: capsicum.kicad_pcb

Title: Capsicum

Size: A4	Date: 2024-03-27	Rev: V1.0.1
KiCad E.D.A. kicad 7.0.8		Id: 1/1